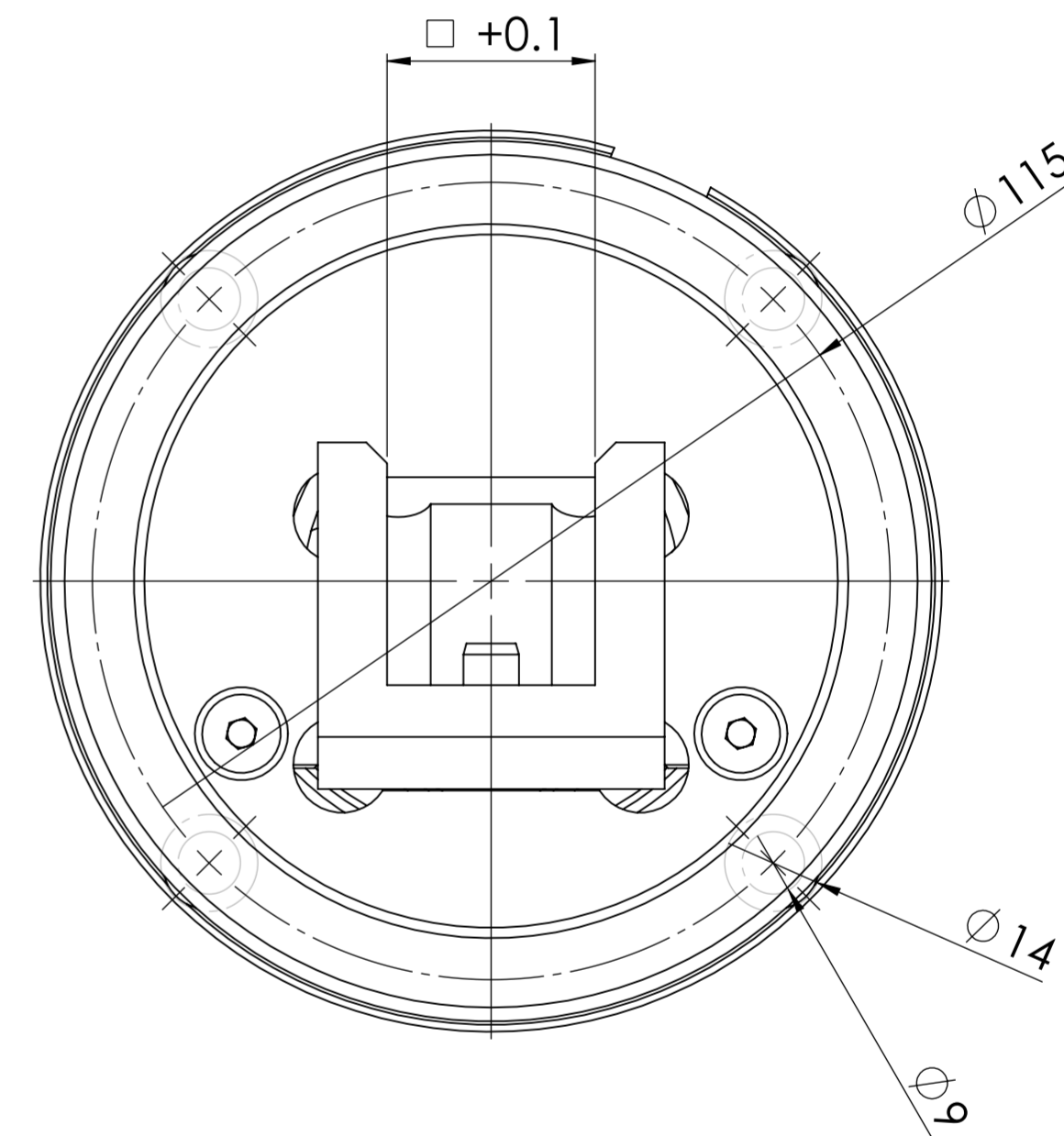
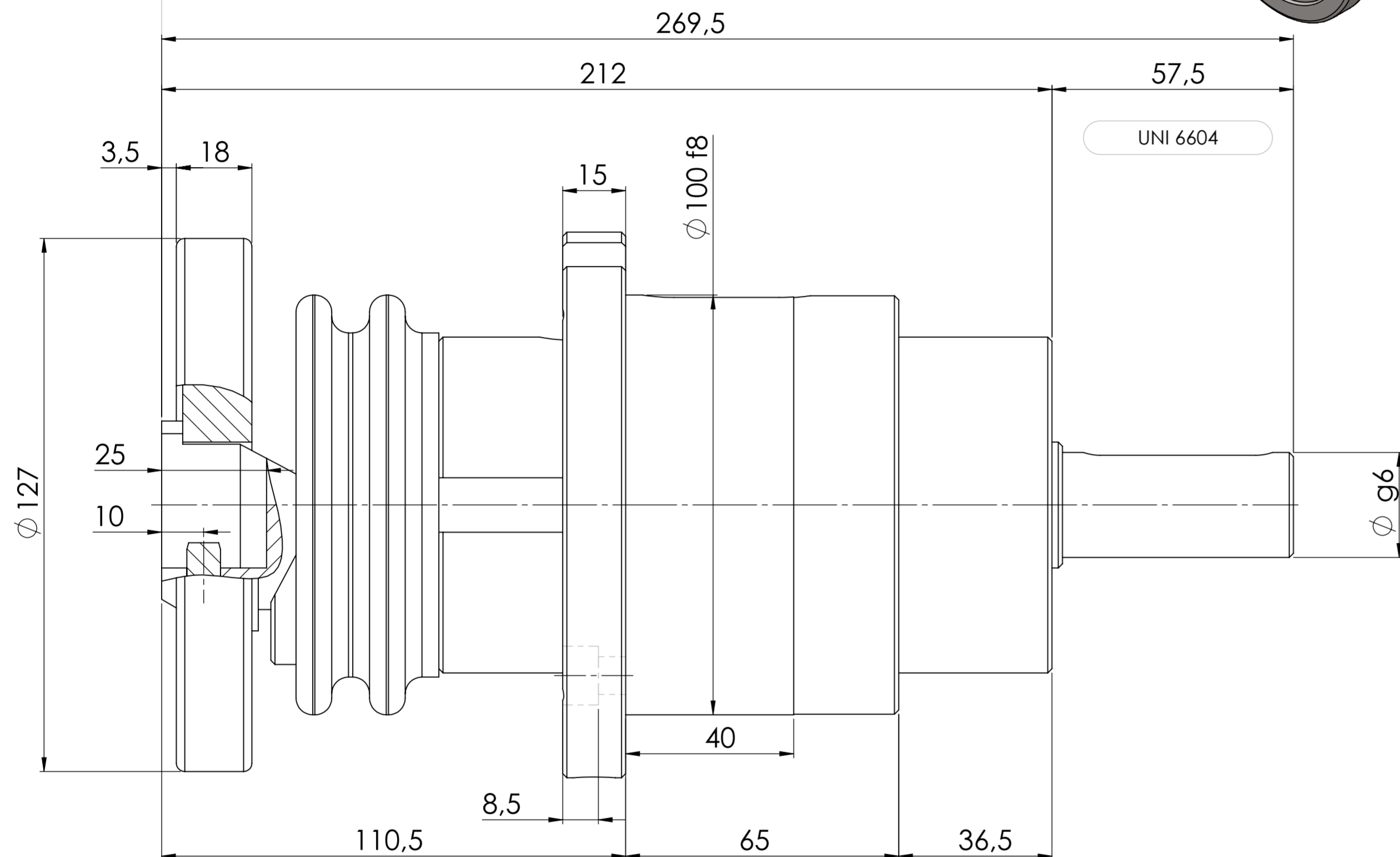


Converting Equipment



TIPO / TYPE:

12-LF-1-Q19÷30U-C50

Compatibile con: **SL50**

PORTATA MAX / MAX LOAD:

2920 N - 5840 N

**QUADRI STANDARD /
SQUARE STANDARD SOCKET:**

□ 25 - □ 30

VELOCITA' MAX / MAX SPEED:

300 RPM

**ØALBERINO STANDARD /
STANDARD SHAFT DIAMETER:**

Ø25 - Ø30

A RICHIESTA / ON REQUEST:

QUADRO/ SQUARE SOCKET:

_____ mm

**Ø ALBERINO E LUNGHEZZA /
SHAFT DIAMETER AND LENGTH:**

Ø _____ mm; L _____ mm