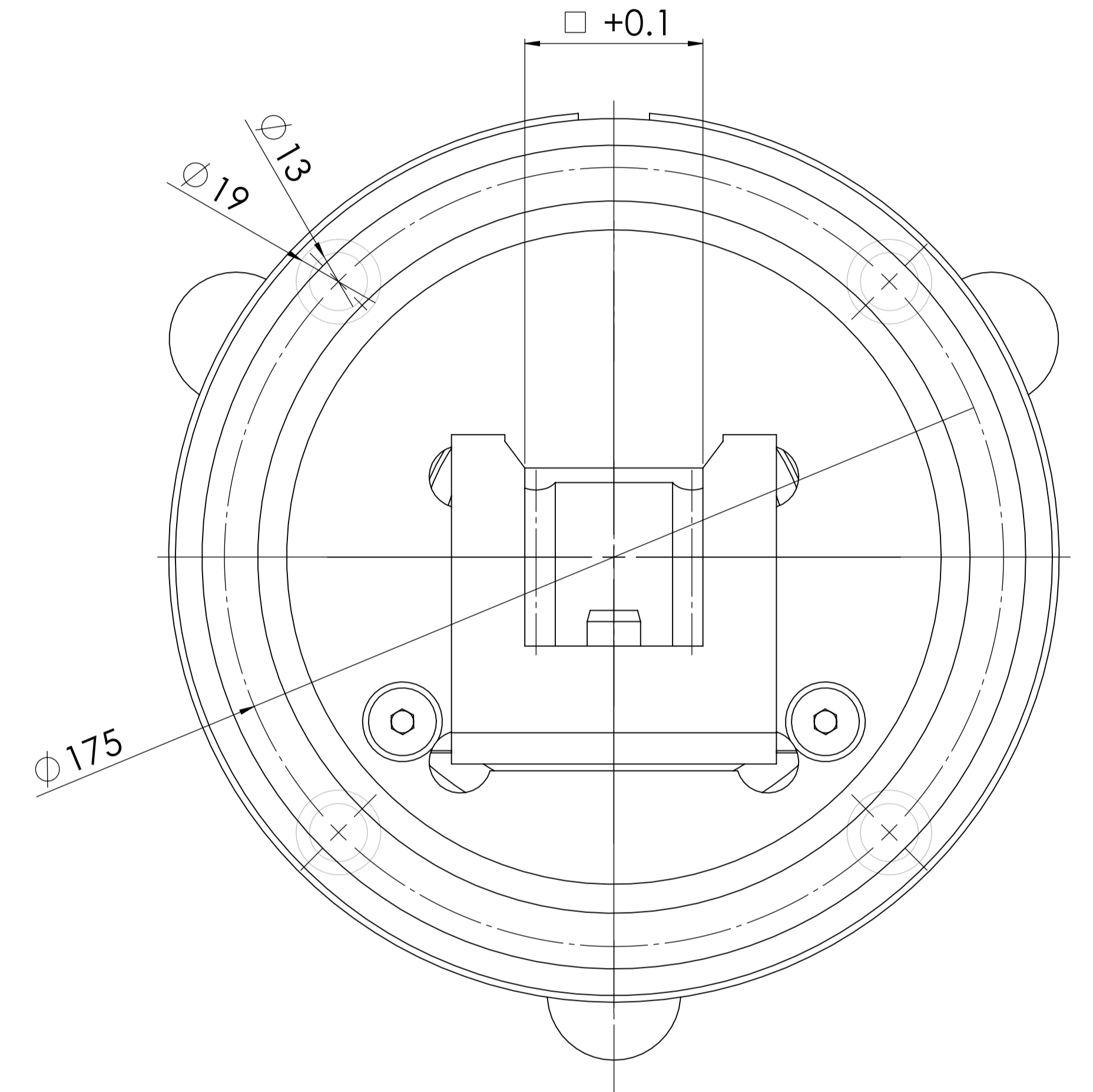
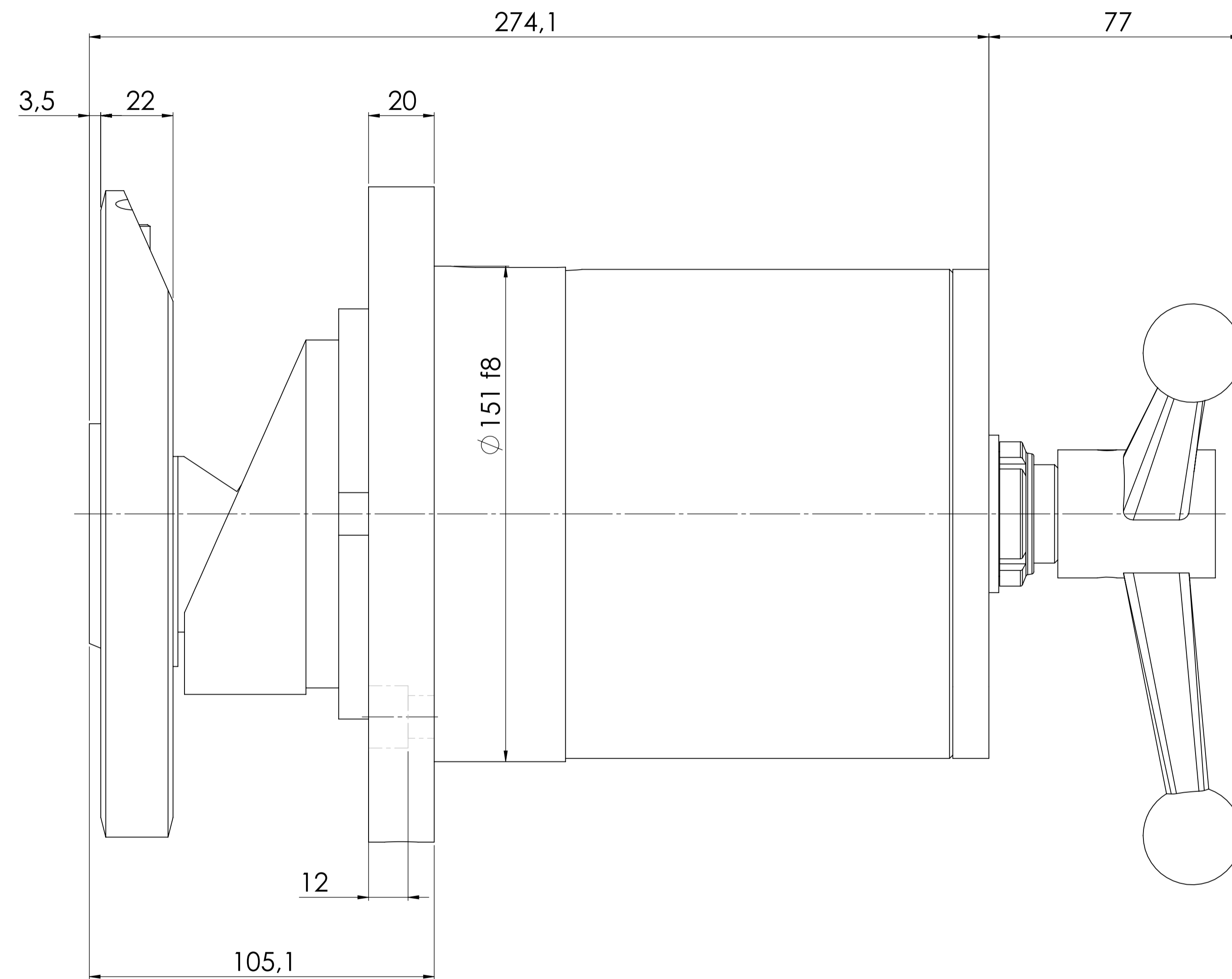


TRASO
Converting Equipment



TIPO / TYPE:

Con alberino / With shaft extension

Senza alberino / Without shaft extension

Compatibile con:

PORTATA MAX / MAX LOAD:

QUADRI STANDARD /
SQUARE STANDARD SOCKET:

VELOCITA' MAX / MAX SPEED:

Ø ALBERINO STANDARD /
STANDARD SHAFT DIAMETER:

A RICHIESTA / ON REQUEST:

QUADRO / SQUARE SOCKET:

_____ mm

Ø ALBERINO E LUNGHEZZA /
SHAFT DIAMETER AND LENGTH:

Ø _____ mm; L _____ mm